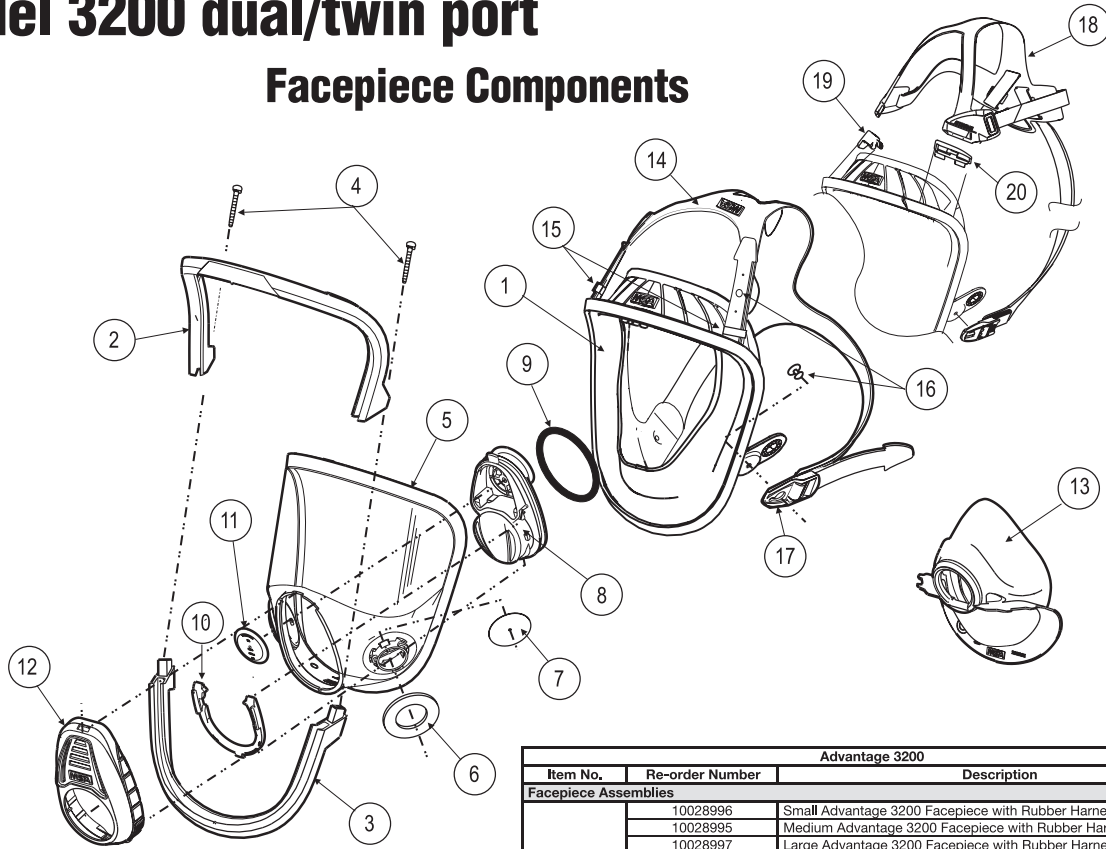


# ADVANTAGE<sup>®</sup> 3000

## model 3200 dual/twin port

### Facepiece Components



Advantage 3200		
Item No.	Re-order Number	Description
<b>Facepiece Assemblies</b>		
---	10028996	Small Advantage 3200 Facepiece with Rubber Harness
	10028995	Medium Advantage 3200 Facepiece with Rubber Harness
	10028997	Large Advantage 3200 Facepiece with Rubber Harness
	10031340	Small Advantage 3200 Facepiece with Advantage Plastic Harness
	10031309	Medium Advantage 3200 Facepiece with Advantage Plastic Harness
10031341	Large Advantage 3200 Facepiece with Advantage Plastic Harness	
<b>Facepiece Components</b>		
1	10025280	Small Silicone Advantage 3000 Face Blank
	10025258	Medium Silicone Advantage 3000 Face Blank
	10025259	Large Silicone Advantage 3000 Face Blank
Kit	10030785	Lens Ring Kit
2	*	1 - Upper Lens Ring
3	*	1 - Lower Lens Ring
4	*	2 - Lens Ring Screw
5	10030786	Dual/Twin Port Lens with Bayonet Connectors, Gaskets, and Valves
6	10030787	Dual/Twin Port Bayonet Gasket(10018496), 10 per Package
7	10030788	Inhalation Valve(10030061), 10 per Package
Kit	10030790	Dual/Twin Port Housing Replacement Kit
8	*	1 - Dual Port Housing (10025289)
9	*	1 - O-ring (10025297)
10	*	1 - Retainer Clip (10025296)
11	10030789	Exhalation Valve(10025295), 5 per Package
12	10025291	Cover
Kit	10030794	Classic Rubber Harness Kit
14	*	1 - Rubber Harness (10025286)
15	*	2 - Slide (10029406)
16	*	4 - Harness Button (10025288)
17	*	2 - Buckle (10025287)
15	10030797	Slide (10029406) for Classic Rubber Harness, 10 per Package
16	10030795	Harness Button (10025288), 12 per Package
17	10030796	Buckle (10025287) for Classic Rubber Harness, 6 per Package
Kit	10030798	Advantage Harness (Plastic) Kit
18	*	1 Advantage Harness (10027778)
19	*	1 Right Adapter Clip (10028302)
20	*	1 Left Adapter Clip (10027774)
<b>Cartridges</b>		
Refer to separate NIOSH Approval insert for approval information		
<b>Accessories</b>		
13	10030792	Medium/Large Nose Cup (10025293)
	10030793	Small Nose Cup (10025294)
Not Shown	10029298	Spectacle Kit
Not Shown	10031542	Cover Lens, Clear (10029294), 25 per Package
Not Shown	10031543	Cover Lens, Smoke (10031176), 25 per Package

\* Item Available in Kit